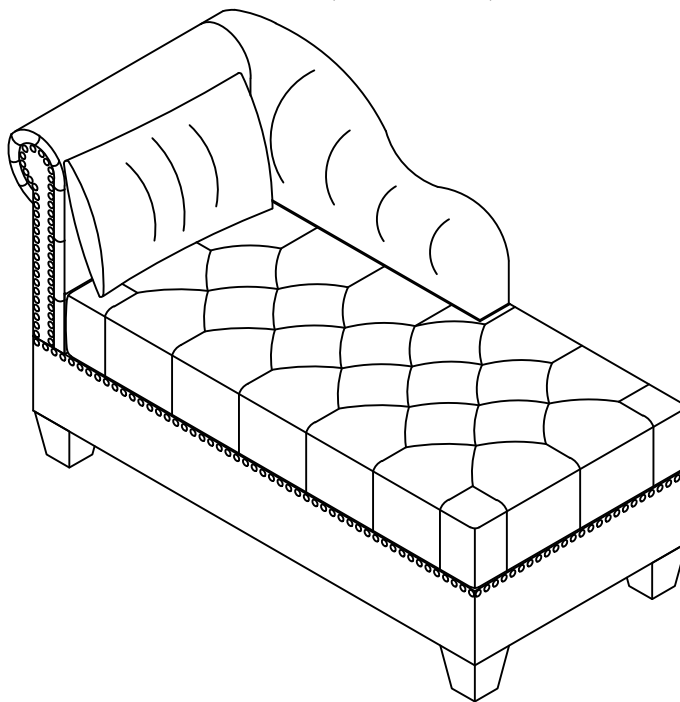


NOTICE BEFORE ASSEMBLY

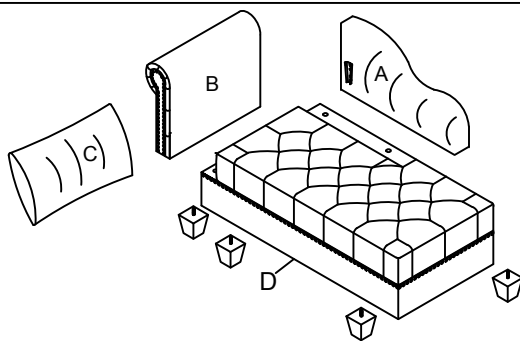
ASSEMBLY INSTRUCTIONS






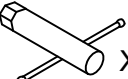
ITEM NO.: F1673, F1674, F1675

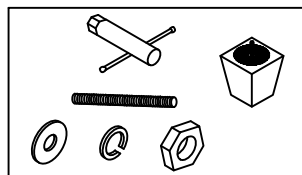
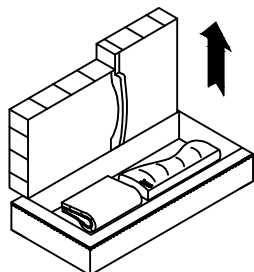


PART LIST

Cushions, pillows and legs included



1	 X 4	2	 X 4	3	 X 4	4	 X 4
5	 X 4	6	 X 1				

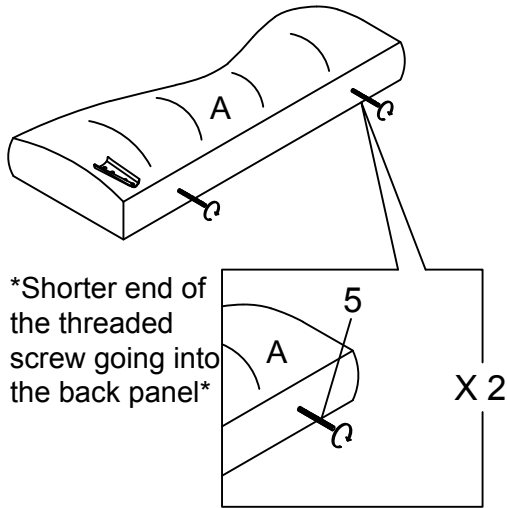


Open up the Velcro of Non-Woven Fabric cover on the bottom of the seat frame to remove seat cushions, back cushions and pillows.

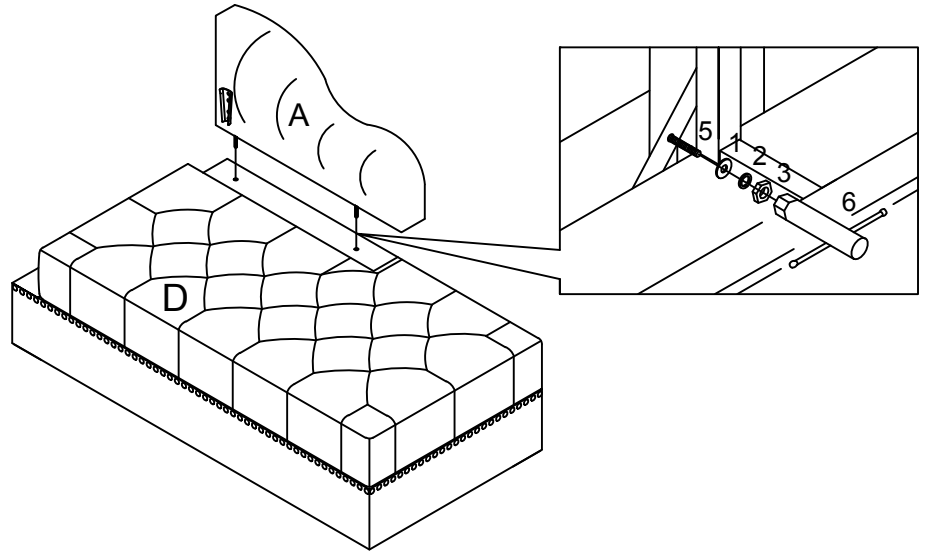
*** PLEASE REMOVE ALL PARTS FROM SEAT FRAMES AND BACKS BEFORE ASSEMBLY***

LOVESEAT ASSEMBLY INSTRUCTION

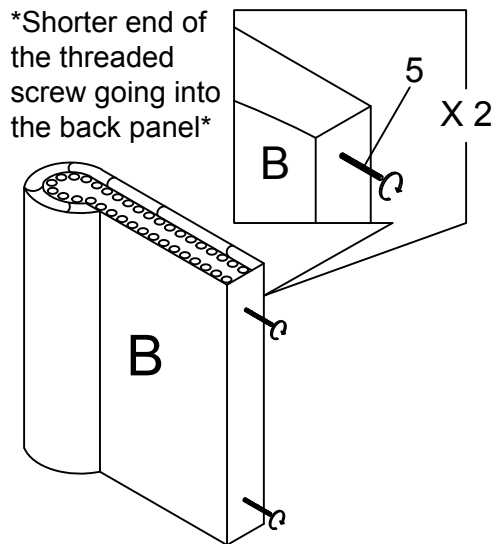
STEP 1 - INSERT THREADED RODS INTO SEAT BACKS & ARM.



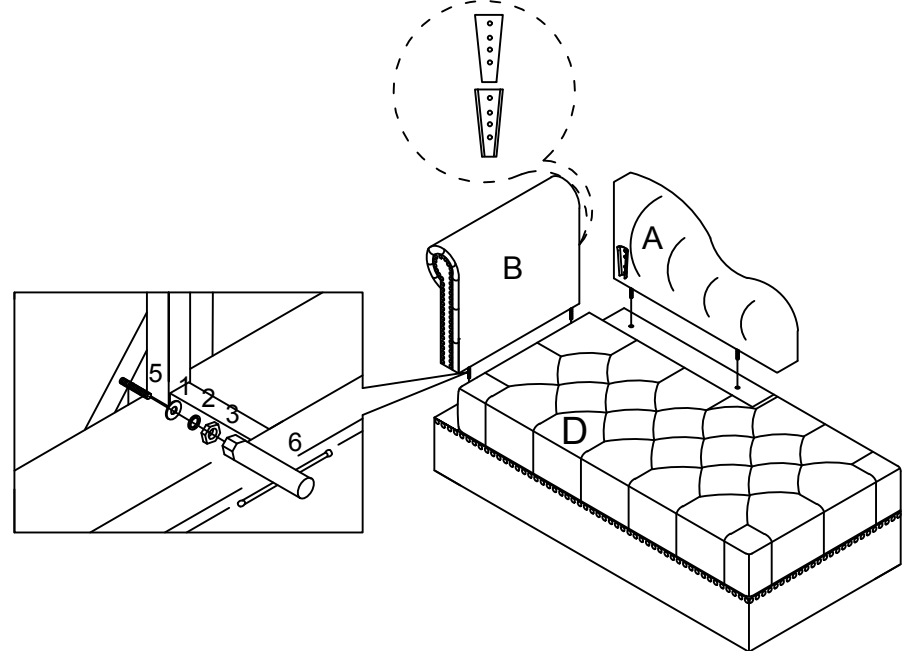
STEP 2 - MOUNT SEAT BACK & ARM INTO THE SEAT FRAME.



STEP 3 - INSERT THREADED RODS INTO SEAT BACKS & ARM.



STEP 4 - MOUNT SEAT BACK & ARM INTO THE SEAT FRAME.



STEP 5 - PUT BACK THE FABRIC COVER AND INSERT THE LEGS.

